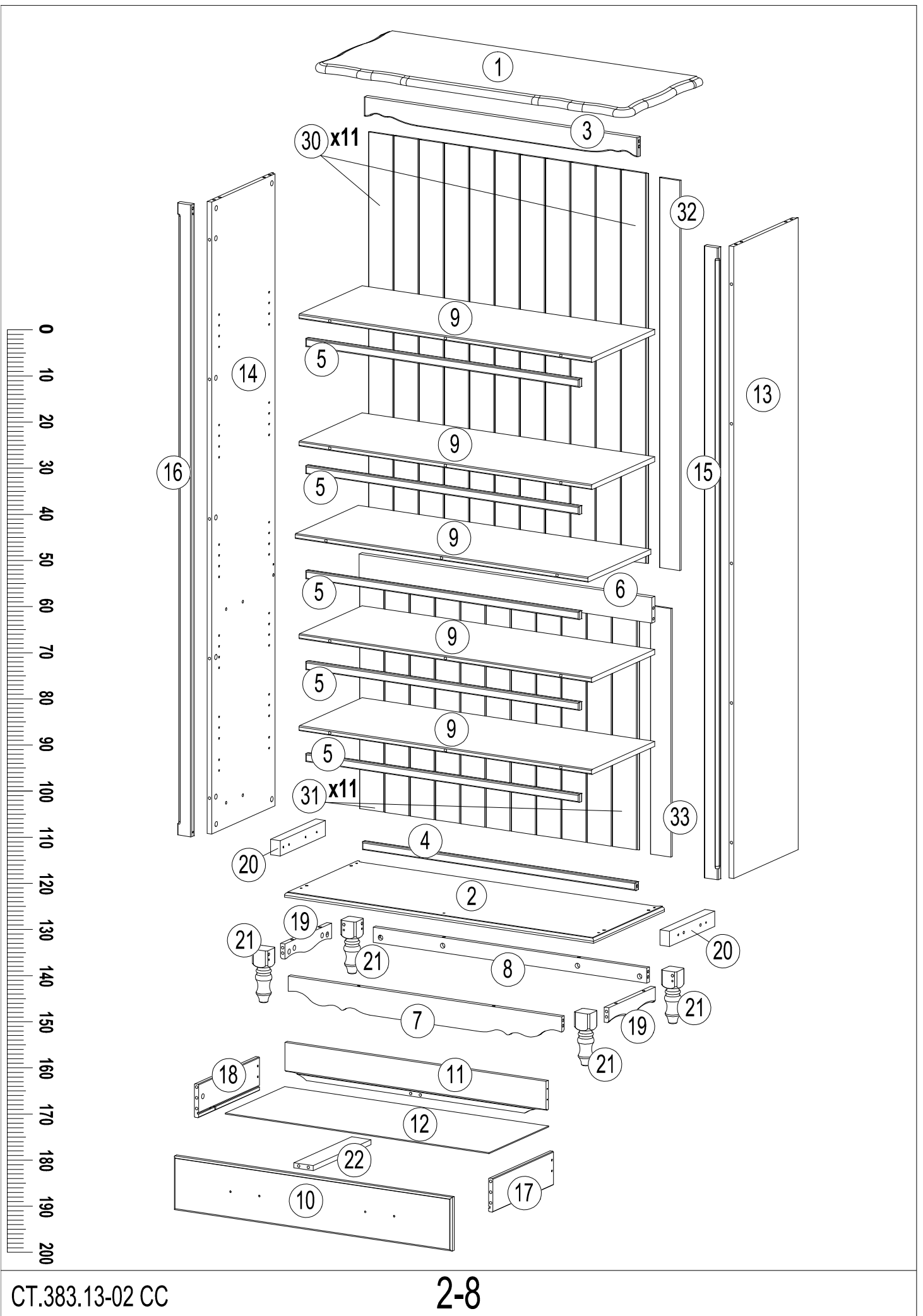
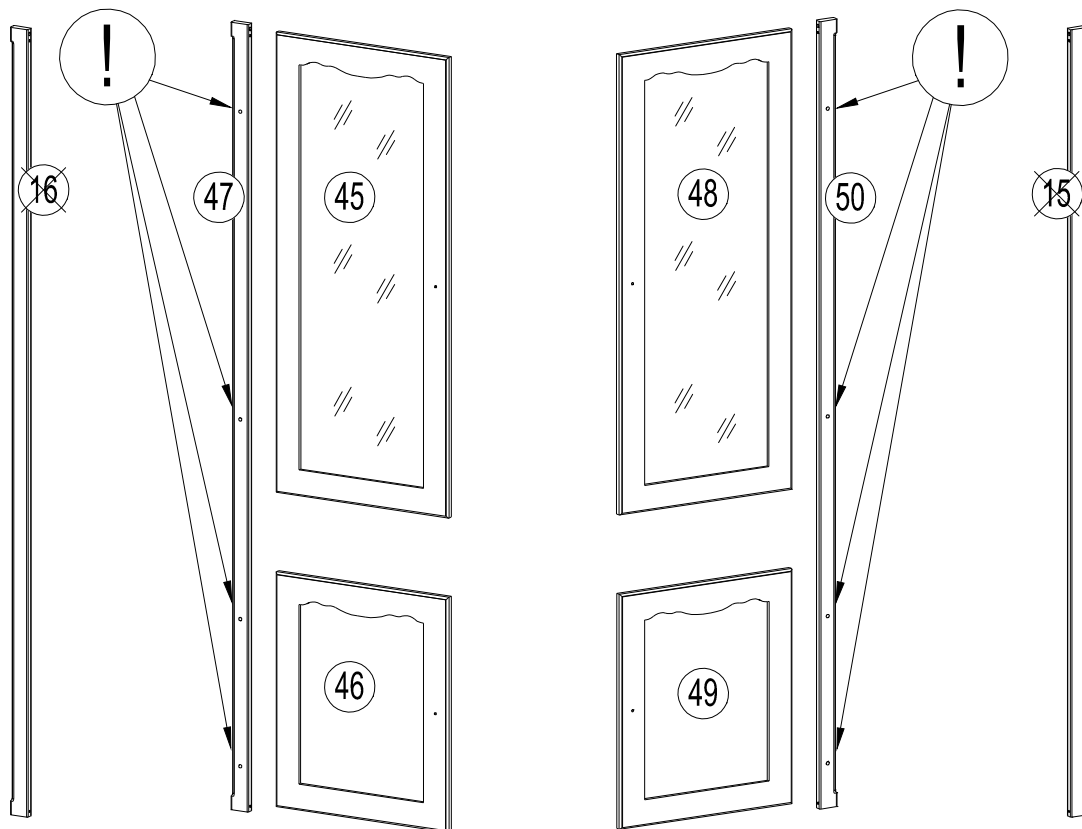


120 min

CT.383.13-02 CC

**ERC**

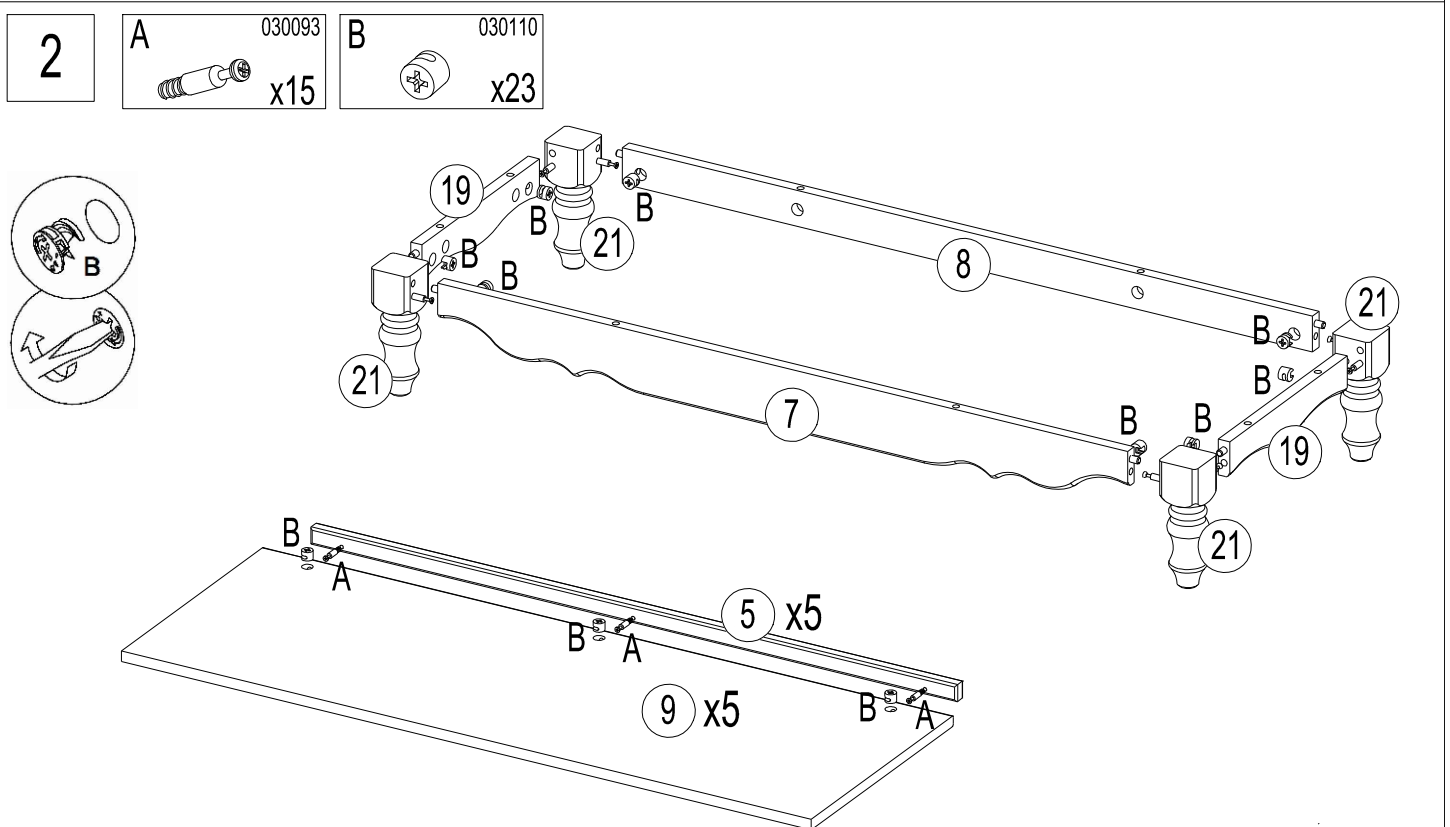
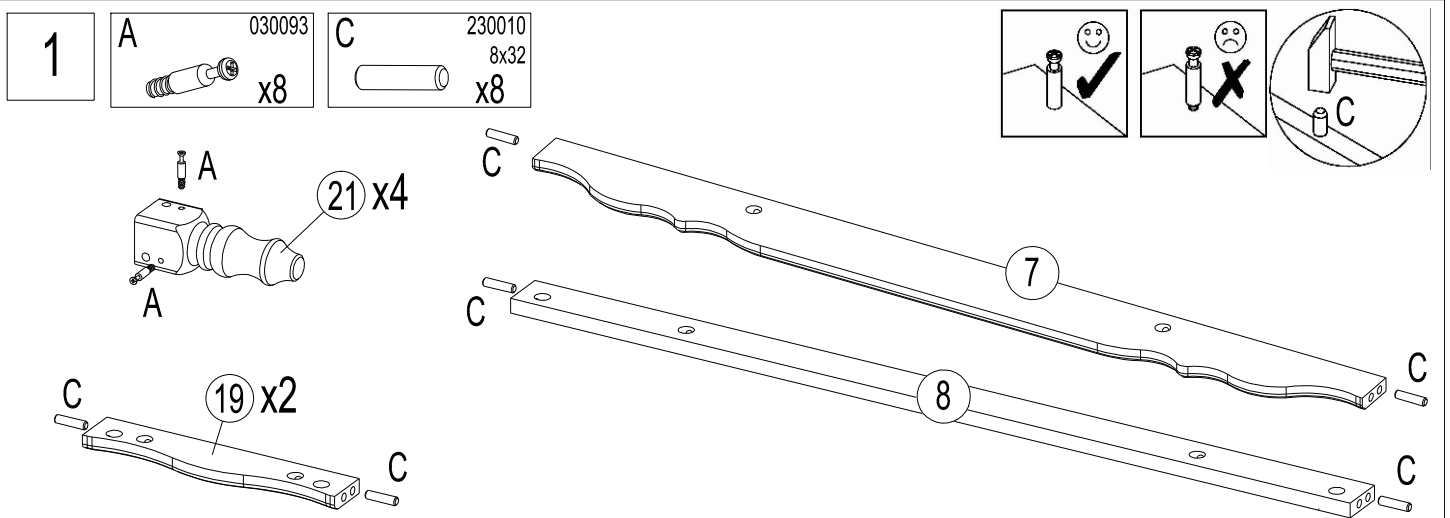


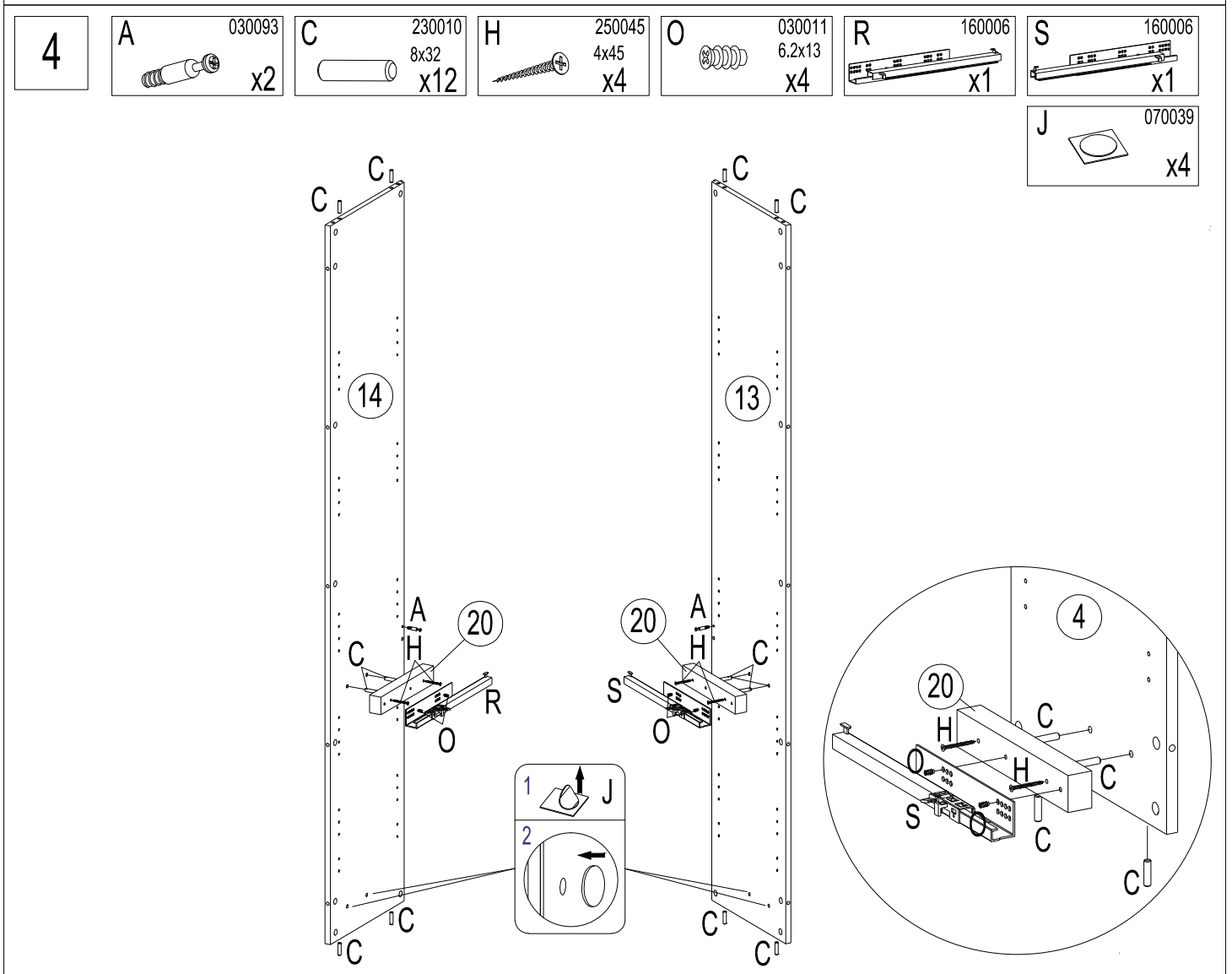
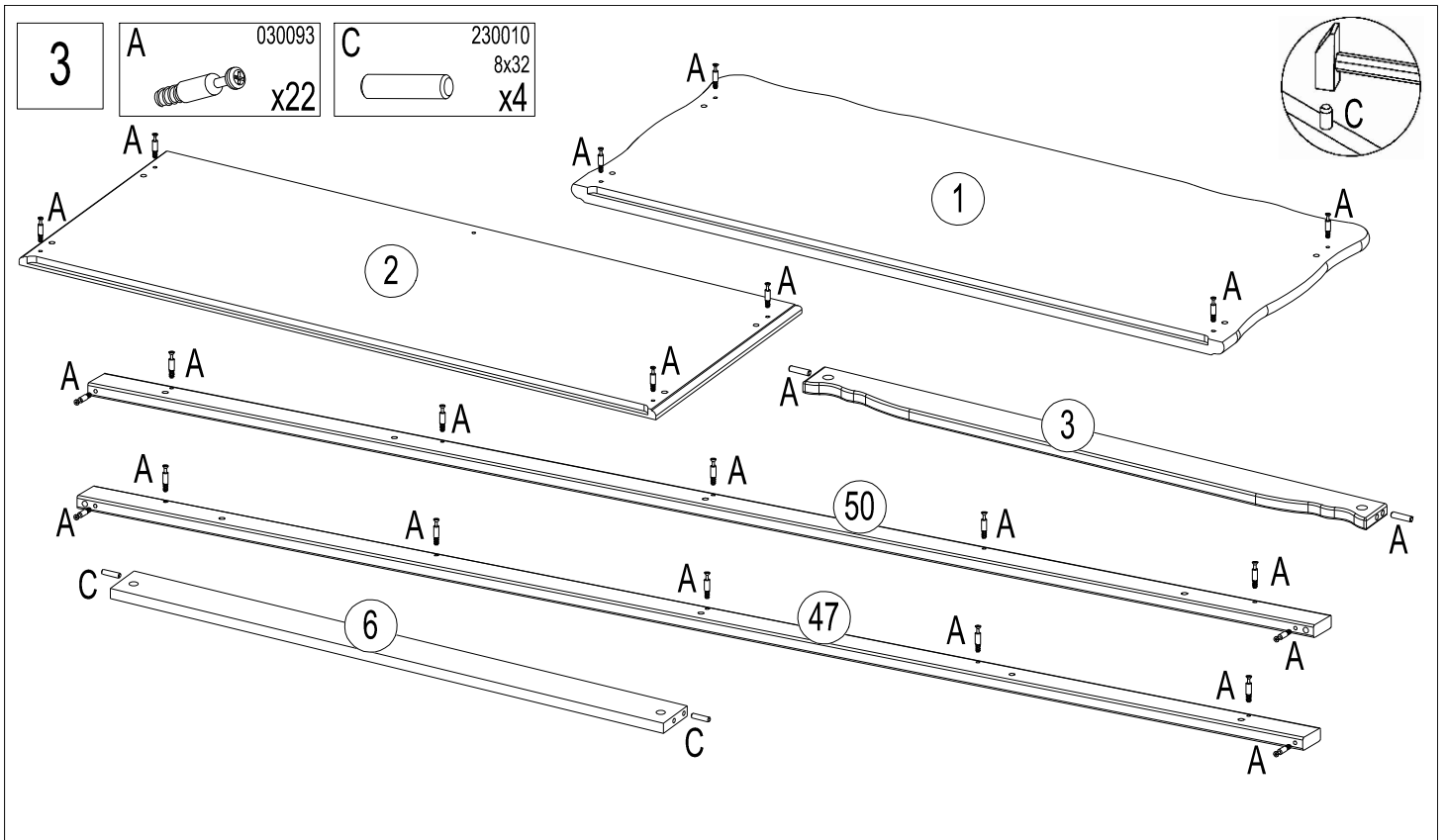


No	Size/MaB (mm)	Qty	✓	No	Size/MaB (mm)	Qty	✓
1	1053x435x24	1		17	350x100x14	1	
2	1027x408x18	1		18	350x100x14	1	
3	909x64x18	1		19	268x52x15	2	
4	909x24x18	1		20	260x46x32	2	
5	908x24x18	5		21	160x50x50	4	
6	973x76x18	1		22	333x64x15	1	
7	909x80x15	1		30	1162x89x8	11	
8	909x45x15	1		31	740x89x8	11	
9	972x363x15	5		32	1162x69x8	1	
10	923x160x18	1		33	740x69x8	1	
11	868x104x14	1		45	1101x460x18	1	
12	877x342x3	1		46	562x460x18	1	
13	1883x372x15	5		47	1883x47x18	1	
14	1883x372x15	1		48	1101x460x18	1	
15	1883x47x18	1		49	562x460x18	1	
16	1883x47x18	1		50	1883x47x18	1	

<b>A</b> 030093 x57	<b>B</b> 030110 x57	<b>C</b> 230010 8x32 x32	<b>D</b> 190009 x20	<b>E</b> 210116 a) b) x2	<b>F</b> 030052 M4x22 x4
<b>G</b> 030011 6.2x13 x4	<b>H</b> 250045 4x45 x4	<b>I</b> 250024 3.5x35 x5	<b>J</b> 070039 x4	<b>K</b> 220043 1.2x20 x2	<b>L</b> 070017 30x30 x4
<b>M</b> 160006 x1	<b>N</b> 160006 x1	<b>O</b> 090004 x1	<b>P</b> 180080 x1	<b>R</b> 250012 3.5x15 x1	<b>S</b> 250044 4x40 x1

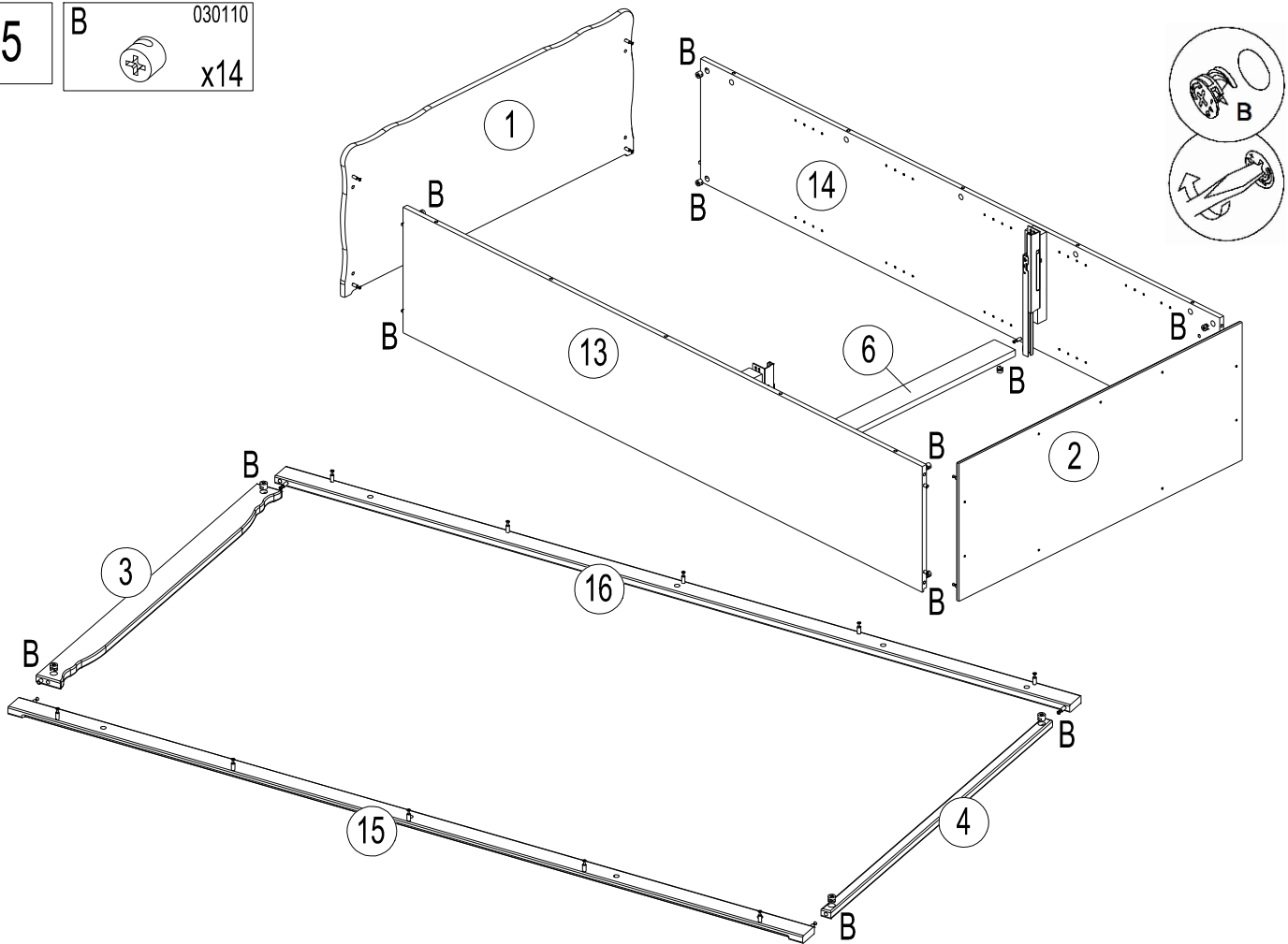
<b>T</b> a) b) x3	<b>U</b> 250013 3.5x15 x6	<b>V</b> 250004 3.0x13 x3	<b>W</b> a) b) 180003 x4	<b>X</b> 210117 x2	<b>Y</b> 030052 M4x22 x2	<b>x2</b>
----------------------	---------------------------------	---------------------------------	--------------------------------	-----------------------	--------------------------------	-----------





5

B 030110 x14



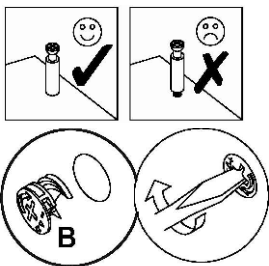
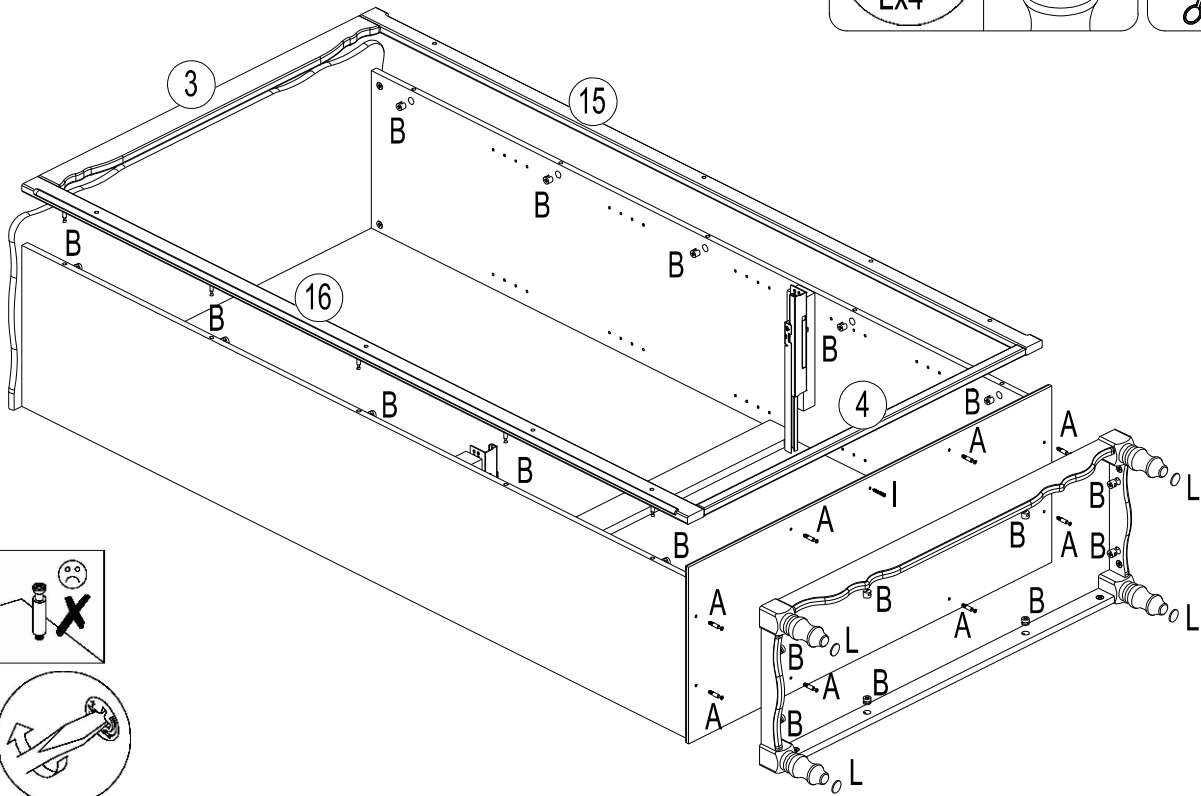
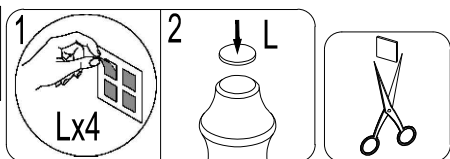
6

A 030093 x8

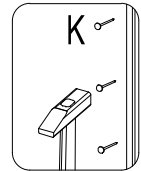
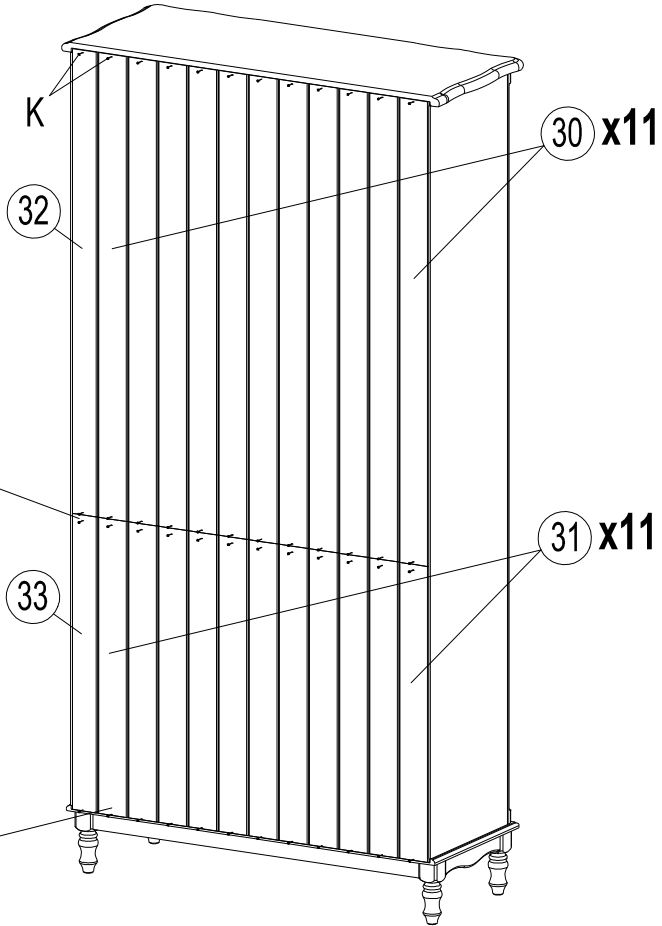
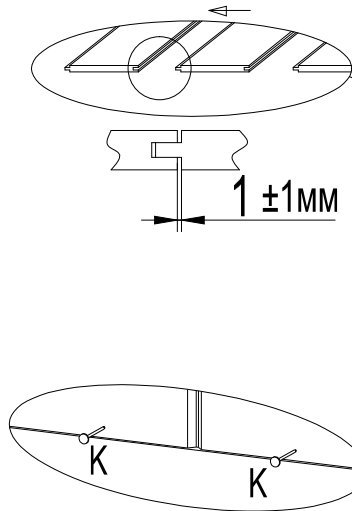
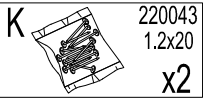
B 030110 x18

I 250024 3.5x35 x1

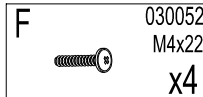
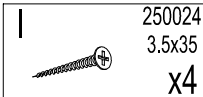
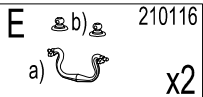
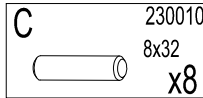
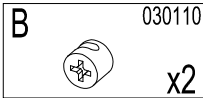
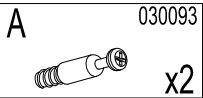
L 070017 30x30 x4



8



9



10

